

HUSSMANN®

EcoShine II LED Lights

SHELF, RAIL and CANOPY LIGHTS
FOR MULTI-DECK, SERVICE AND SPECIALTY CASES

Maximum lighting effectiveness in retail food displays.



Advanced merchandising with lower energy cost.



EcoShine II

FOR MULTI-DECK, SERVICE and SPECIALTY CASES

Bring life and color to fresh meats, produce, dairy, deli, and specialty selections. EcoShine II LEDs create bright, rich visual displays.

Vivid colors in fresh foods.

- EcoShine II lights bring out the true, rich colors of meats, produce, seafoods and more for a fresh, inviting presentation.
- Optimized for natural color rendering and uniform light distribution under shelves and across different case profiles.
- Slimmer, less bulky profile to keep the focus on food.
- Warm white, warm neutral, and neutral white colors available.
- LEDs emit less heat into the display case than fluorescents. This helps reduce the rise in internal product temperatures. Lower product temperatures help maintain the freshness and appearance of meats. This was verified by a Kansas State University Study that showed color stability and shelf life of meat was clearly improved with LEDs. Study available at krex.k-state.edu/dspace/handle/2097/13135.

Less energy. Greater reliability. Easier installation.

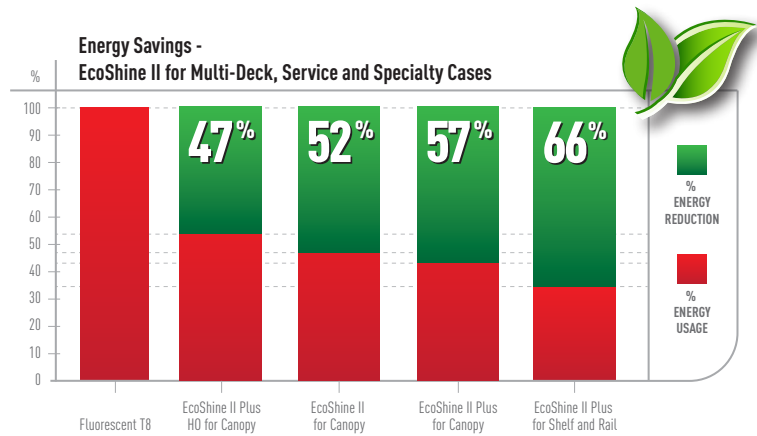
- Fast and easy installation with shelf light magnets, quick-connect plugs, 5 ft cable on canopy lights, and compatibility with virtually all cases, all manufacturers.
- Superior cleanliness and reliability with industry best IP67 certification to help keep moisture and fluids out of shelf and rail lights.
- 66% energy savings over T8 fluorescents for shelf, rail and service canopy lights.
- 47-57% energy savings for multi-deck canopy lights.
- Excellent durability: 5-7 year life expectancy; 5 year limited parts and labor warranty.*
- All shelf, rail, and canopy lights available in 12", 18", 24", 36", 48", and 60" lengths.



* See Hussmann warranty policy for additional details.

Lower business costs.

Reduce ongoing business expenses with lower energy costs, relamping fees, and related maintenance and labor costs. Fast, easy installation reduces initial labor expense.



Upgrade to EcoShine II.

In every department, including meat, produce, dairy, service, and specialty.

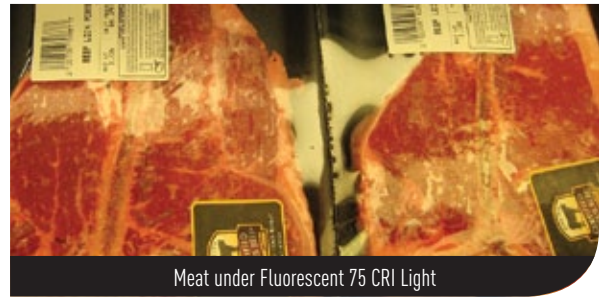


Revolutionizing the effectiveness of retail food lighting.

HUSSMANN[®]



Meat under EcoShine 85+ CRI LED



Meat under Fluorescent 75 CRI Light

Richer looking fresh meats.

EcoShine II LED lights bring out the rich color of fresh meats.

Superior reliability.

EcoShine II shelf and rail lights have an IP67 moisture protection certification, the best in the industry, to help keep moisture and liquids out of the light fixture. Also, no more relamping every two years.



Meat under EcoShine 85+ CRI LED

Two multi-deck canopy light options.

EcoShine II

- For open or closed multi-decks with unlit shelves.
- Six length options and three color options available.
- Optimized for uniform light coverage in different profile and shelving configurations.
- Field adjustable brackets for flexible light distribution.
- 5 year limited parts and labor warranty.*

EcoShine II Plus

- For open multi-decks with lit shelves.
- Six length and three color options available.
- Unique diffused light spread for very even lighting across products.
- Field adjustable brackets for flexible light distribution.
- 5 year limited parts and labor warranty.*



* See Hussmann warranty policy for additional details.

**DON'T SETTLE
FOR A RETROFIT...**

You deserve an upgrade.

EcoShine II LED Lights...

**SUPERIOR MERCHANDISING
AND OPTIMIZED PERFORMANCE.**

Upgrades made easy.

- EcoShine II is available for lighting upgrades in virtually all display cases from all manufacturers.
- Complete end-to-end upgrade process available with energy audit, light selection, fast installation, and rebate identification and processing.
- Field installation is quick and easy with minimal disruption to store operations due to shelf light magnets, quick-connect plugs and 5 ft cable on canopy lights.
- One power supply per case with canopy lights only.
- One power supply per 8 ft case with shelf lights, two power supplies per 12 ft case with shelf lights.

Specifications

**ECOSHINE II LEDs
FOR MULTI-DECKS, SERVICE
AND SPECIALTY CASES**

SPECIFICATIONS - ECOSHINE II LEDS FOR SHELF, RAIL and CANOPY

EcoShine II Plus Lighting

- Shelf and Rail for Multi-Deck

- Shelf, Rail and Canopy for Specialty and Service

Factory, Replacement, and Upgrade Parts

	Aftermarket Part Number	Description	Energy Watts (DC) Per Fixture	Energy Watts (AC) Per Fixture	CRI Rating (typical)	Length (inches)	Efficacy (Lumens/Watts) Typical
WARM WHITE	BU.4442071	EcoShine II Plus Shelf 3000K 12 in.	1.9	2.2	85	12	65
	BU.4442074	EcoShine II Plus Shelf 3000K 18 in.	3.0	3.5	85	18	65
	BU.4442077	EcoShine II Plus Shelf 3000K 24 in.	4.2	4.8	85	24	65
	BU.4442080	EcoShine II Plus Shelf 3000K 36 in.	6.6	7.4	85	36	65
	BU.4442083	EcoShine II Plus Shelf 3000K 48 in.	8.8	10.5	85	48	65
	BU.4442086	EcoShine II Plus Shelf 3000K 60 in.	11.1	13.1	85	60	65
WARM NEUTRAL	BU.4442072	EcoShine II Plus Shelf 3500K 12 in.	1.9	2.2	85	12	65
	BU.4442075	EcoShine II Plus Shelf 3500K 18 in.	3.0	3.5	85	18	65
	BU.4442078	EcoShine II Plus Shelf 3500K 24 in.	4.2	4.8	85	24	65
	BU.4442081	EcoShine II Plus Shelf 3500K 36 in.	6.6	7.4	85	36	65
	BU.4442084	EcoShine II Plus Shelf 3500K 48 in.	8.8	10.5	85	48	65
	BU.4442087	EcoShine II Plus Shelf 3500K 60 in.	11.1	13.1	85	60	65
NEUTRAL WHITE	BU.4442073	EcoShine II Plus Shelf 4000K 12 in.	1.9	2.2	85	12	65
	BU.4442076	EcoShine II Plus Shelf 4000K 18 in.	3.0	3.5	85	18	65
	BU.4442079	EcoShine II Plus Shelf 4000K 24 in.	4.2	4.8	85	24	65
	BU.4442082	EcoShine II Plus Shelf 4000K 36 in.	6.6	7.4	85	36	65
	BU.4442085	EcoShine II Plus Shelf 4000K 48 in.	8.8	10.5	85	48	65
	BU.4442088	EcoShine II Plus Shelf 4000K 60 in.	11.1	13.1	85	60	65

EcoShine II LED lights are covered by a 5 year limited parts and labor warranty.

See Hussmann warranty policy for additional details.

These luminaires are IP67 rated. IP stands for ingress protection. The lights are totally protected from dust ingress — (6) and from the effects of fluid immersion between 5.9 in (15cm) and 3.28 ft (1m) — (7).

Color Temperature:

Color temperature is measured in kelvins (K). Higher color temperatures produce bright, white light hues. Cool White (5000K) has the brightest white hue. Neutral White (4000K) has a cooler hue than Warm Neutral (3500K) or Warm White 3000K.

SPECIFICATIONS - ECOSHINE II LEDS FOR SHELF, RAIL and CANOPY

EcoShine II Canopy Lighting for Multi-Deck Merchandisers

Factory and Replacement Parts

	Aftermarket Part Number	Description	Energy Watts (DC) Per Fixture	Energy Watts (AC) Per Fixture	CRI Rating (typical)	Length (inches)	Efficacy (Lumens/Watts) Typical
WARM WHITE	BU.4442011	EcoShine II Canopy 3000K 12 in.	5.4	6.3	80	12.6	46
	BU.4442015	EcoShine II Canopy 3000K 18 in.	7.4	8.6	80	17.9	46
	BU.4442018	EcoShine II Canopy 3000K 24 in.	9.6	11.2	80	22.0	46
	BU.4442020	EcoShine II Canopy 3000K 36 in.	19.0	22.0	80	35.9	46
	BU.4442023	EcoShine II Canopy 3000K 48 in.	26.5	31.0	80	47.0	46
	BU.4442026	EcoShine II Canopy 3000K 60 in.	33.2	38.6	80	60.0	46
WARM NEUTRAL	BU.4442012	EcoShine II Canopy 3500K 12 in.	5.4	6.3	80	12.6	46
	BU.4442014	EcoShine II Canopy 3500K 18 in.	7.4	8.6	80	17.9	46
	BU.4442017	EcoShine II Canopy 3500K 24 in.	9.6	11.2	80	22.0	46
	BU.4442021	EcoShine II Canopy 3500K 36 in.	19.0	22.0	80	35.9	46
	BU.4442024	EcoShine II Canopy 3500K 48 in.	26.5	31.0	80	47.0	46
	BU.4442027	EcoShine II Canopy 3500K 60 in.	33.2	38.6	80	60.0	46
NEUTRAL WHITE	BU.4442013	EcoShine II Canopy 4000K 12 in.	5.4	6.3	80	12.6	46
	BU.4442016	EcoShine II Canopy 4000K 18 in.	7.4	8.6	80	17.9	46
	BU.4442019	EcoShine II Canopy 4000K 24 in.	9.6	11.2	80	22.0	46
	BU.4442022	EcoShine II Canopy 4000K 36 in.	19.0	22.0	80	35.9	46
	BU.4442025	EcoShine II Canopy 4000K 48 in.	26.5	31.0	80	47.0	46
	BU.4442028	EcoShine II Canopy 4000K 60 in.	33.2	38.6	80	60.0	46

EcoShine II LED lights are covered by a 5 year limited parts and labor warranty. See Hussmann warranty policy for additional details.

Color Temperature:

Color temperature is measured in kelvins (K). Higher color temperatures produce bright, white light hues. Cool White (5000K) has the brightest white hue. Neutral White (4000K) has a cooler hue than Warm Neutral (3500K) or Warm White 3000K.

SPECIFICATIONS - ECOSHINE II LEDS FOR SHELF, RAIL and CANOPY

EcoShine II Plus Canopy Lighting for Multi-Deck Merchandisers

Factory and Replacement Parts

	Aftermarket Part Number	Description	Energy Watts (DC) Per Fixture	Energy Watts (AC) Per Fixture	CRI Rating (typical)	Length (inches)	Efficacy (Lumens/Watts) Typical
WARM WHITE	BU.4442029	EcoShine II Plus Canopy 3000K 36 in.	19.2	22.3	85	35.9	74
	BU.4442032	EcoShine II Plus Canopy 3000K 48 in.	23.9	27.7	85	47.0	74
	BU.4442035	EcoShine II Plus Canopy High Output 3000K 36 in.	21.7	25.2	85	36.0	75
	BU.4442038	EcoShine II Plus Canopy High Output 3000K 48 in.	29.2	34.0	85	47.0	78
WARM NEUTRAL	BU.4442030	EcoShine II Plus Canopy 3500K 36 in.	19.2	22.3	85	35.9	74
	BU.4442033	EcoShine II Plus Canopy 3500K 48 in.	23.9	27.7	85	47.0	74
	BU.4442036	EcoShine II Plus Canopy High Output 3500K 36 in.	21.7	25.2	85	36.0	76
	BU.4442039	EcoShine II Plus Canopy High Output 3500K 48 in.	29.2	34.0	85	47.0	79
NEUTRAL WHITE	BU.4442031	EcoShine II Plus Canopy 4000K 36 in.	19.2	22.3	85	35.9	74
	BU.4442034	EcoShine II Plus Canopy 4000K 48 in.	23.9	27.7	85	47.0	74
	BU.4442037	EcoShine II Plus Canopy High Output 4000K 36 in.	21.7	25.2	85	35.9	77
	BU.4442040	EcoShine II Plus Canopy High Output 4000K 48 in.	29.2	34.0	85	47.0	80

EcoShine II LED lights are covered by a 5 year limited parts and labor warranty. See Hussmann warranty policy for additional details.

Color Temperature:

Color temperature is measured in kelvins (K). Higher color temperatures produce bright, white light hues. Cool White (5000K) has the brightest white hue. Neutral White (4000K) has a cooler hue than Warm Neutral (3500K) or Warm White 3000K.

SPECIFICATIONS - ECOSHINE II LEDS FOR SHELF, RAIL and CANOPY

EcoShine II Canopy Lighting for Multi-Deck Merchandisers

Upgrade Parts

	Aftermarket Part Number	Description	Energy Watts (DC) Per Fixture	Energy Watts (AC) Per Fixture	CRI Rating (typical)	Length (inches)	Efficacy (Lumens/Watts) Typical
WARM WHITE	BU.4442041	EcoShine II Canopy 3000K 12 in.	5.4	6.3	80	12.6	46
	BU.4442044	EcoShine II Canopy 3000K 18 in.	7.4	8.6	80	17.9	46
	BU.4442047	EcoShine II Canopy 3000K 24 in.	9.6	11.2	80	22.0	46
	BU.4442050	EcoShine II Canopy 3000K 36 in.	19.0	22.0	80	35.9	46
	BU.4442053	EcoShine II Canopy 3000K 48 in.	26.5	31.0	80	47.0	46
	BU.4442056	EcoShine II Canopy 3000K 60 in.	33.2	38.6	80	60.0	46
WARM NEUTRAL	BU.4442042	EcoShine II Canopy 3500K 12 in.	5.4	6.3	80	12.6	46
	BU.4442045	EcoShine II Canopy 3500K 18 in.	7.4	8.6	80	17.9	46
	BU.4442048	EcoShine II Canopy 3500K 24 in.	9.6	11.2	80	22.0	46
	BU.4442051	EcoShine II Canopy 3500K 36 in.	19.0	22.0	80	35.9	46
	BU.4442054	EcoShine II Canopy 3500K 48 in.	26.5	31.0	80	47.0	46
	BU.4442057	EcoShine II Canopy 3500K 60 in.	33.2	38.6	80	60.0	46
NEUTRAL WHITE	BU.4442043	EcoShine II Canopy 4000K 12 in.	5.4	6.3	80	12.6	46
	BU.4442046	EcoShine II Canopy 4000K 18 in.	7.4	8.6	80	17.9	46
	BU.4442049	EcoShine II Canopy 4000K 24 in.	9.6	11.2	80	22.0	46
	BU.4442052	EcoShine II Canopy 4000K 36 in.	19.0	22.0	80	35.9	46
	BU.4442055	EcoShine II Canopy 4000K 48 in.	26.5	31.0	80	47.0	46
	BU.4442058	EcoShine II Canopy 4000K 60 in.	33.2	38.6	80	60.0	46

EcoShine II LED lights are covered by a 5 year limited parts and labor warranty. See Hussmann warranty policy for additional details. These parts include 79 in. cable leads for upgrade installation.

Color Temperature:

Color temperature is measured in kelvins (K). Higher color temperatures produce bright, white light hues. Cool White (5000K) has the brightest white hue. Neutral White (4000K) has a cooler hue than Warm Neutral (3500K) or Warm White 3000K.

SPECIFICATIONS - ECOSHINE II LEDS FOR SHELF, RAIL and CANOPY

EcoShine II Plus Canopy Lighting for Multi-Deck Merchandisers

Upgrade Parts

	Aftermarket Part Number	Description	Energy Watts (DC) Per Fixture	Energy Watts (AC) Per Fixture	CRI Rating (typical)	Length (inches)	Efficacy (Lumens/Watts) Typical
WARM WHITE	BU.4442059	EcoShine II Plus Canopy 3000K 36 in.	19.2	22.3	85	35.9	74
	BU.4442062	EcoShine II Plus Canopy 3000K 48 in.	23.9	27.7	85	47.0	74
	BU.4442065	EcoShine II Plus Canopy High Output 3000K 36 in.	21.7	25.2	85	35.9	75
	BU.4442068	EcoShine II Plus Canopy High Output 3000K 48 in.	29.2	34.0	85	47.0	78
WARM NEUTRAL	BU.4442060	EcoShine II Plus Canopy 3500K 36 in.	19.2	22.3	85	35.9	74
	BU.4442063	EcoShine II Plus Canopy 3500K 48 in.	23.9	27.7	85	47.0	74
	BU.4442066	EcoShine II Plus Canopy High Output 3500K 36 in.	21.7	25.2	85	35.9	76
	BU.4442069	EcoShine II Plus Canopy High Output 3500K 48 in.	29.2	34.0	85	47.0	79
NEUTRAL WHITE	BU.4442061	EcoShine II Plus Canopy 4000K 36 in.	19.2	22.3	85	35.9	74
	BU.4442064	EcoShine II Plus Canopy 4000K 48 in.	23.9	27.7	85	47.0	74
	BU.4442067	EcoShine II Plus Canopy High Output 4000K 36 in.	21.7	25.2	85	35.9	77
	BU.4442070	EcoShine II Plus Canopy High Output 4000K 48 in.	29.2	34.0	85	47.0	80

EcoShine II LED lights are covered by a 5 year limited parts and labor warranty. See Hussmann warranty policy for additional details. These parts include 79 in. cable leads for upgrade installation.

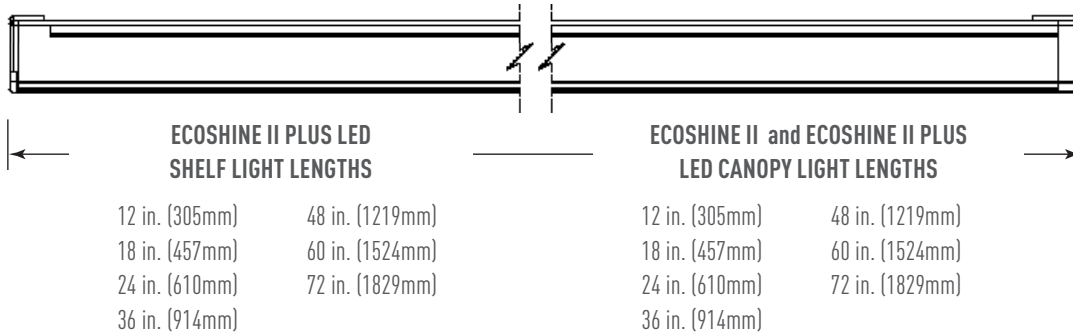
Color Temperature:

Color temperature is measured in kelvins (K). Higher color temperatures produce bright, white light hues. Cool White (5000K) has the brightest white hue. Neutral White (4000K) has a cooler hue than Warm Neutral (3500K) or Warm White 3000K.

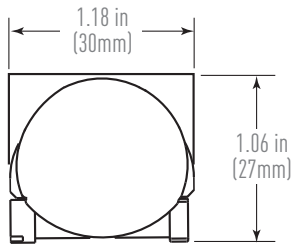
SPECIFICATIONS - ECOSHINE II LEDS FOR SHELF, RAIL and CANOPY

Dimensions and Placement

EcoShine II and EcoShine II Plus Vertical Mullion Length (including installation bracket)

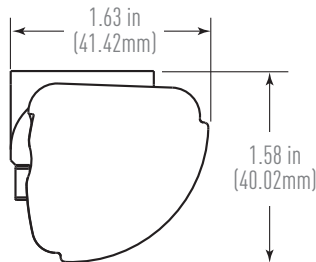


EcoShine II Canopy



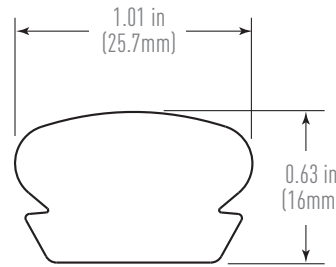
(TOP VIEW)

EcoShine II Plus Canopy

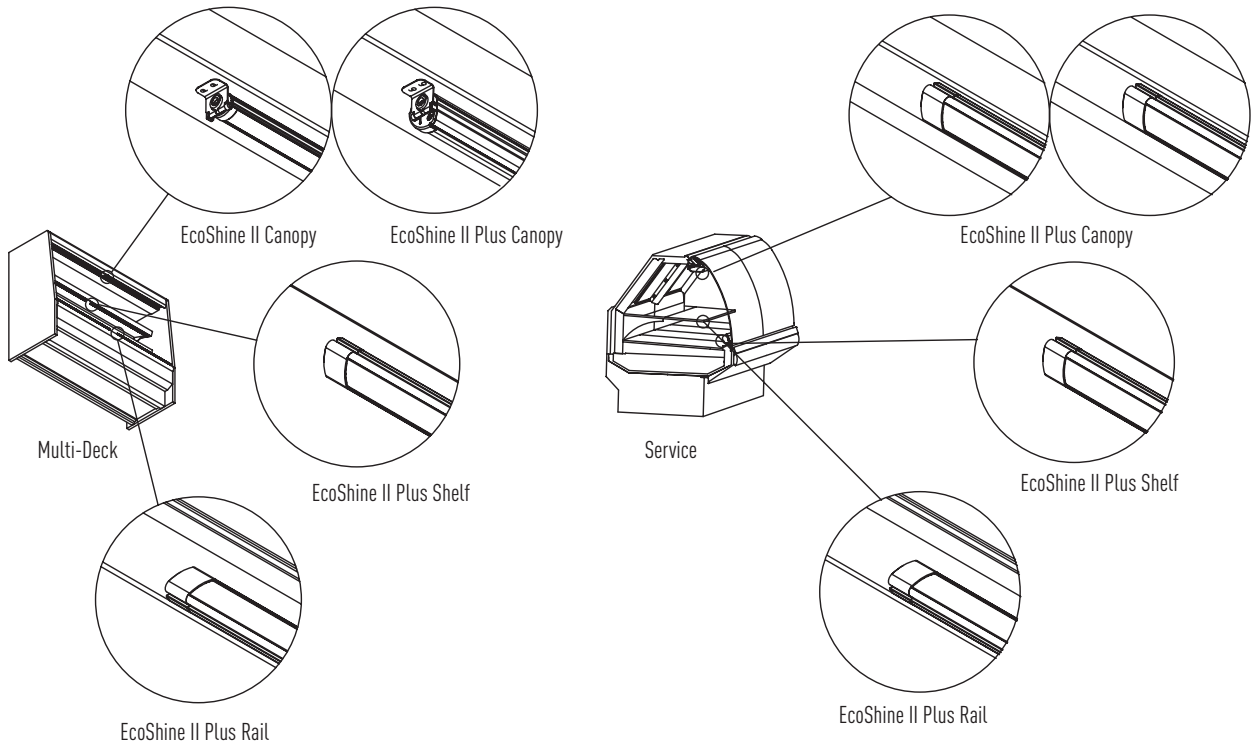


(TOP VIEW)

EcoShine II Plus Shelf



(TOP VIEW)

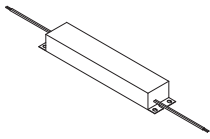


SPECIFICATIONS - ECOSHINE II LEDS FOR SHELF, RAIL and CANOPY

Electrical Data

Interface Data

Cable Type:	2 core standard
Conductor Size:	22 AWG Maximum wiring distance at full load is 7 ft
Shelf Cable Exit/Connector:	Standard shelf quick-connect plugs (OEM) OR Custom quick-connect plugs (Upgrade)
Canopy Cable Exit/Connector:	5 in cable with molex connector (OEM) OR 79 in. cable lead (Upgrade)
Power Supply:	UL Class 2 power unit 18 AWG (100W) 24 VDC 120V-250VAC, 50-60Hz (for all lights) Part Number: 0499399 OEM / 448668 Aftermarket



Electrical - Typical Values

Shelf Lighting	Watts				Canopy Lighting	Watts			
	4 ft	6 ft	8 ft	12 ft		4 ft	6 ft	8 ft	12 ft
EcoShine II Plus (1 Row)	10.2	15.3	20.5	30.7	EcoShine II	30.8	44.2	61.6	92.4
EcoShine II Plus (2 Row)	20.5	25.6	30.7	40.9	EcoShine II Plus	27.8	41.4	55.6	83.4
EcoShine II Plus (3 Row)	30.7	35.8	40.9	51.2	EcoShine II Plus HO	34.0	50.5	67.9	101.9
EcoShine II Plus (4 Row)	40.9	46.0	51.2	61.4					
EcoShine II Plus (5 Row)	51.2	56.3	61.4	71.6					
EcoShine II Plus (6 Row)	61.4	66.5	71.6	81.9					
EcoShine II Plus (7 Row)	71.6	76.7	81.9	92.1					

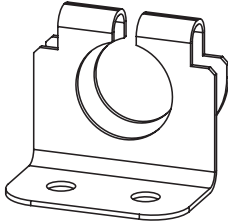
Note: These wattages are for guidelines purposes only.

SPECIFICATIONS - ECOSHINE II LEDS FOR SHELF, RAIL and CANOPY

Accessories

EcoShine II and EcoShine II Plus Mounting Clips

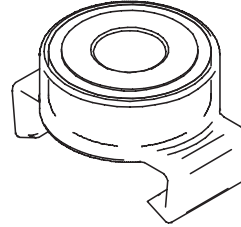
**ECOSHINE II AND ECOSHINE II PLUS
STANDARD MOUNTING CLIP**



Canopy for Multi-Deck

Aftermarket Part Numbers	Standard — BR.4442104
	Intermediate — BR.4442105
	Extended — BR.4442106

**ECOSHINE II PLUS
MAGNET CLIP**

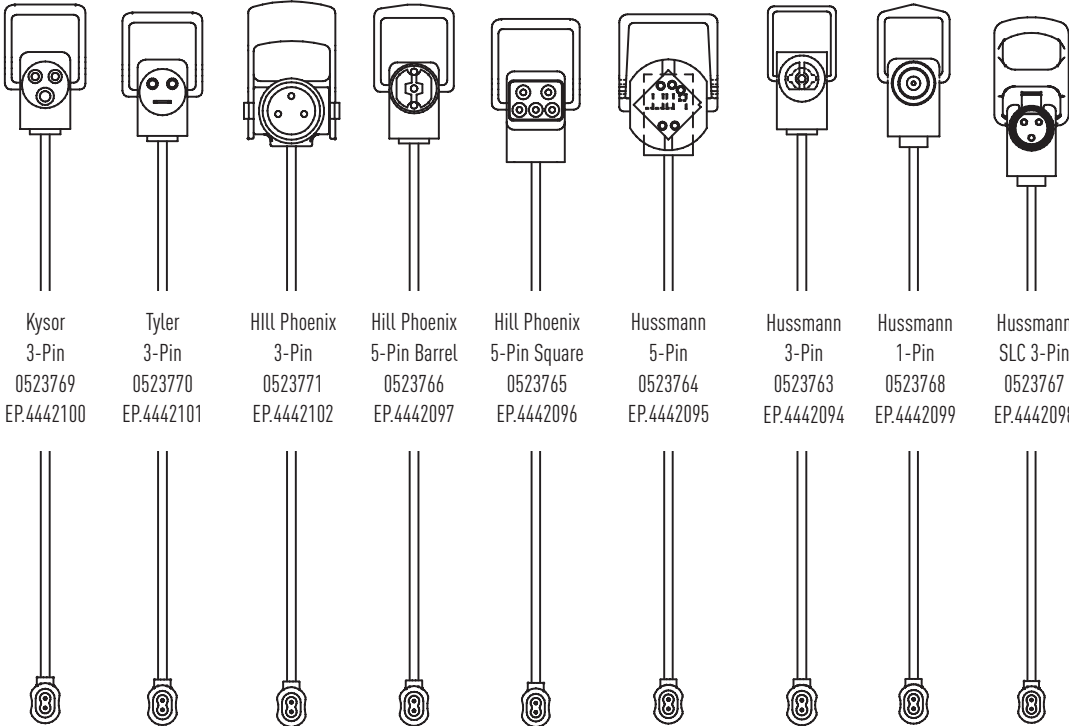


**Shelf and Rail for Multi-Deck / Shelf, Rail and Canopy
for Specialty and Service**

Aftermarket Part Numbers	Shelf Clip — BR.4442092
	Magnet Clip — BR.4442093

NOTE: Intermediate and extended clips are available for service case canopies and rail applications.

EcoShine II and EcoShine II Plus Quick-Connect Plugs - Additional, custom quick-connect plugs are available.

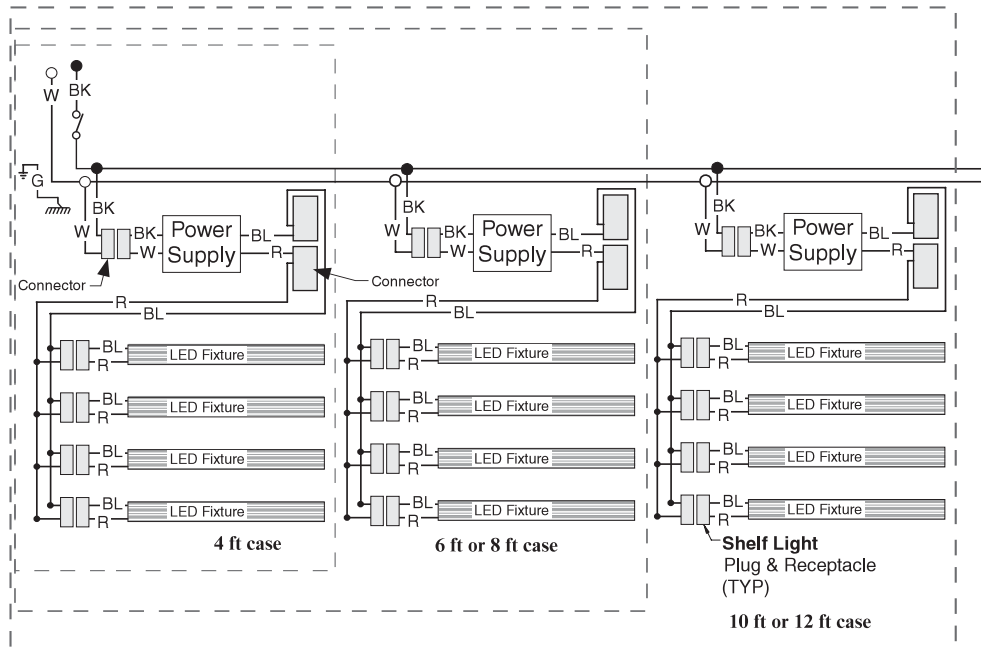


SPECIFICATIONS - ECOSHINE II LEDS FOR SHELF, RAIL and CANOPY

Wiring Diagram

Optional Shelf Harness and LED Light Circuits for 4 Rows of Shelves

TYPICAL MULTI-DECK WIRING CONFIGURATION



WARNING: All components must have mechanical ground, and the merchandiser must be grounded.

NOTE:

One power supply can provide power for as many as 10 shelf fixtures.

COLOR CODES:

R = Red Y = Yellow G = Green BL = Blue BK = Black W = White

SYMBOLS:

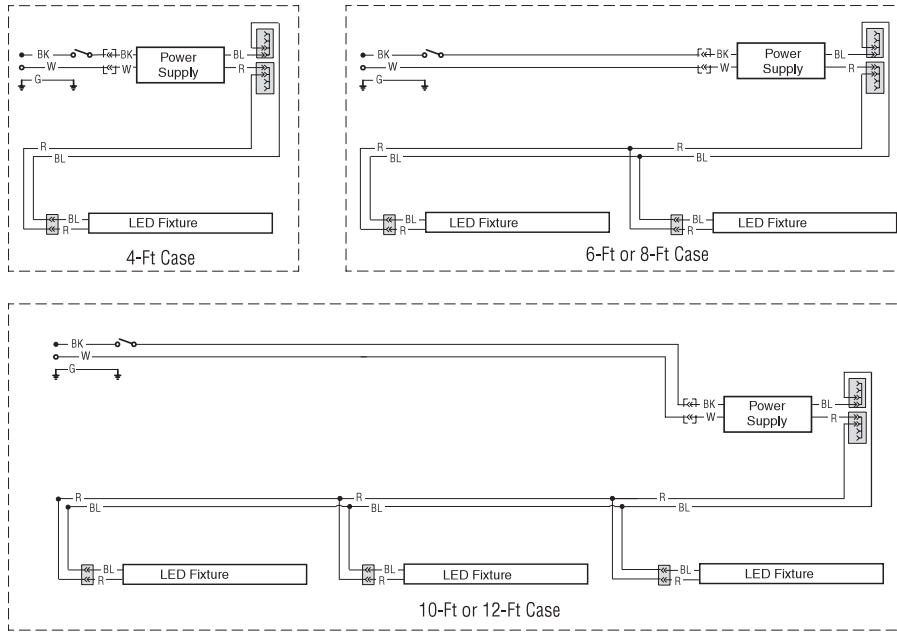
● = 120V Power ○ = 120V Neutral ⊥ = Field Ground ≡ = Case Ground

SPECIFICATIONS - ECOSHINE II LEDS FOR SHELF, RAIL and CANOPY

Wiring Diagram

Standard LED Canopy Lighting

TYPICAL ONE ROW CANOPY WIRING CONFIGURATION



WARNING: All components must have mechanical ground, and the merchandiser must be grounded.

NOTE:

This product is not for use in wet or damp applications. One power supply can provide power for as many as 3 canopy fixtures.

COLOR CODES:

R = Red Y = Yellow G = Green BL = Blue BK = Black W = White

SYMBOLS:

● = 120V Power ○ = 120V Neutral ⊥ = Field Ground ≡ = Case Ground

Environmental

EcoShine II, EcoShine II Plus for Shelf, Rail and Canopy Lights

Certification:
 Internal / External: For indoor use only
 Disposal: Recycle

EcoShine II and EcoShine II Plus for High Output Canopy Lights

Certification:
 Internal / External: For indoor use only
 Disposal: Recycle

HUSSMANN®

Hussmann Corporation
12999 St. Charles Rock Rd.
Bridgeton, MO 63044-2483
Ph: 314.291.2000

www.hussmann.com